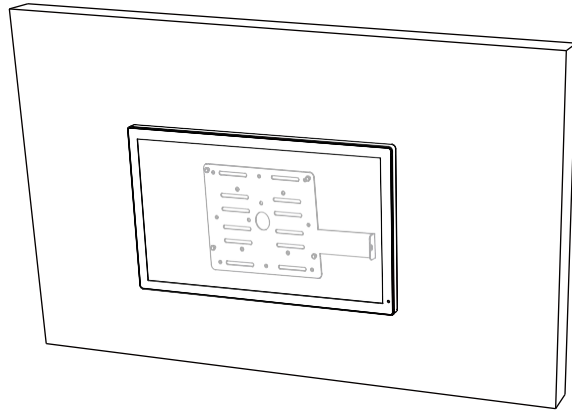


PF22 Mounting Plate Installation Guide

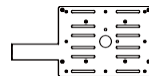


- This guide explains how to install the mounting plate using the screw fixing method. Structural adhesive fixing is another option, but this guide focuses solely on screw fixing.
- The mounting plate is pre-installed on the back of the screen at the factory. Users must prepare Accessory 3 independently.

Required Accessories for Installation

1. Mounting Plate × 1

(Anti-theft screws are pre-installed on the mounting plate at the factory.)



2. Mounting Bracket Installation Guide × 1



3. M3 Countersunk Expansion Screws × 8

(Users must source this accessory themselves.)



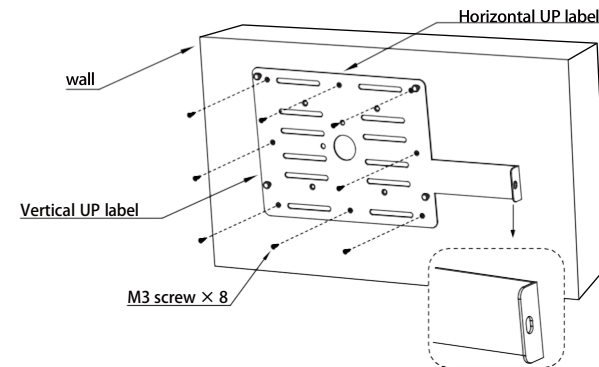
Safety Precautions

- Refer to the provided installation diagram and included accessories.
- Follow the installation steps as a reference.
- Ensure all screws are securely tightened.
- Use the equipment within the specified size and weight limits for safety.
- Install on a flat wall.
- Important: For wooden walls, ensure the wall thickness is at least 3 cm and the load-bearing capacity is 100 kg.
- Suitable for 22" installations.

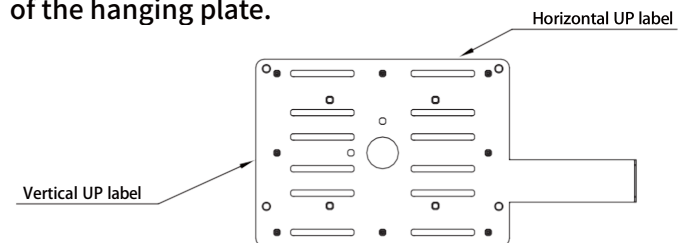
Installation Steps

Step 1 Secure the mounting plate to a solid, load-bearing wall using M3 screws × 8. The plate supports both horizontal and vertical installations.

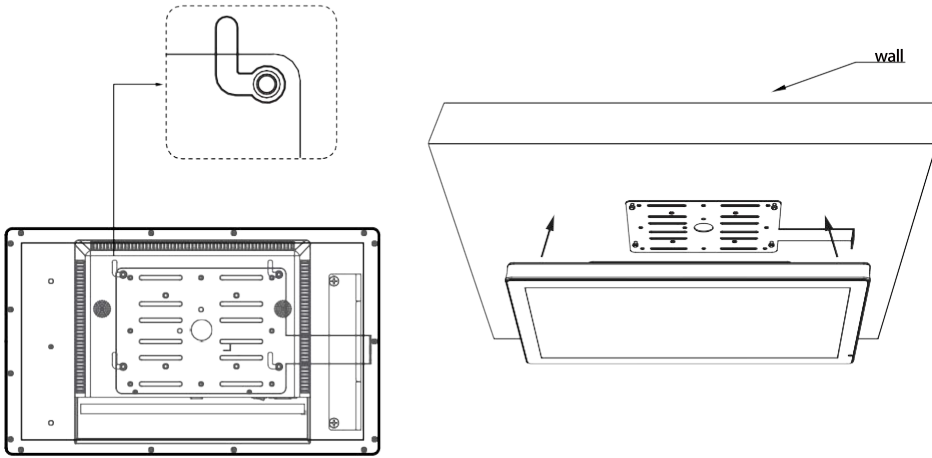
For horizontal installation, the hanging tongue on the short side of the plate should face right. For vertical installation, the hanging tongue on the short side should face down.



Step 2 Make sure the screw heads are flush with or lower than the surface of the hanging plate.

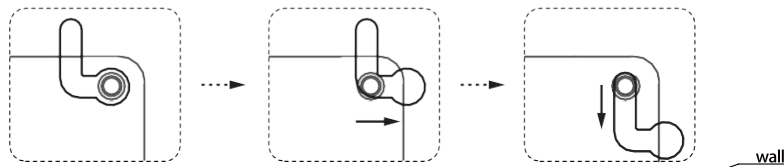


Step 3 Align the four hanging nails on the mounting plate with the centers of the four large circular holes on the screen back. Carefully hang the screen onto the mounting plate.

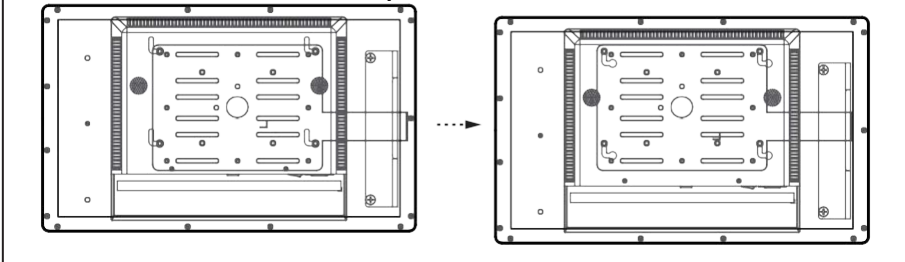


Step 4 Whilst supporting the screen with your hands, push the screen to the right, as indicated by the arrow in the installation diagram then let it slide down gently until it locks into place.

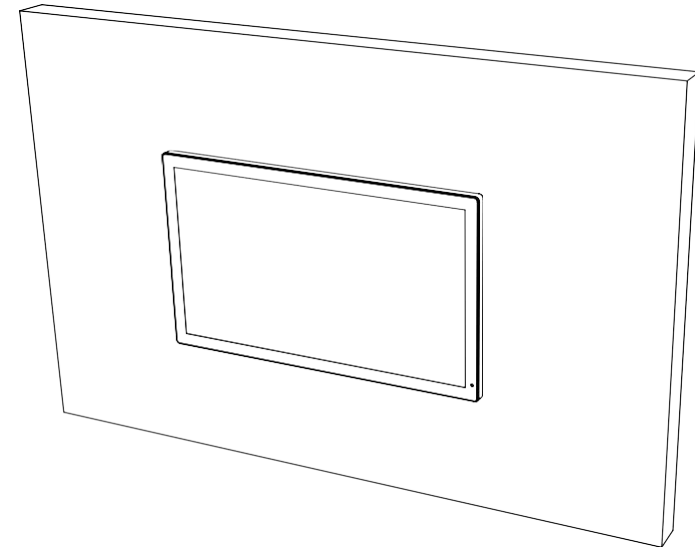
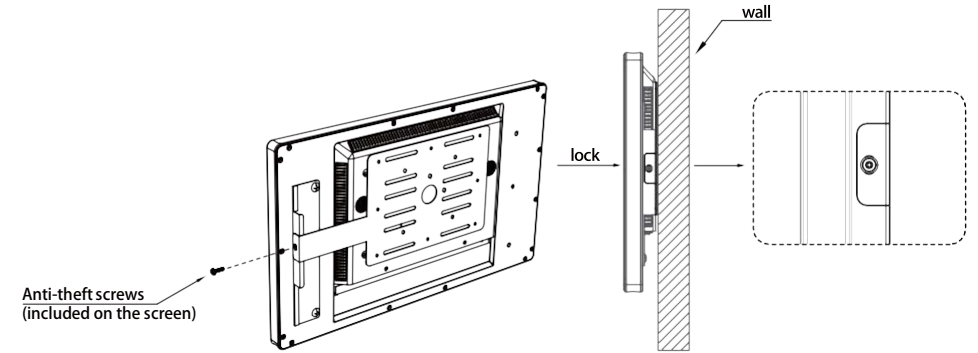
(Note: The mounting plate is fixed to the wall. While the plate and its L-shaped mounting holes remain stationary, the screen [with its hanging nails] moves during this process.)



Transparent Front View



Step 5 Tighten the anti-theft screws (pre-installed on the screen) on the side to secure the installation.



The screen is now securely installed.